

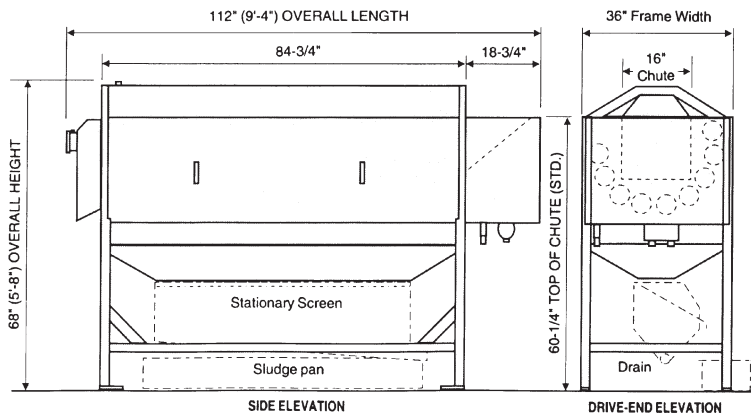
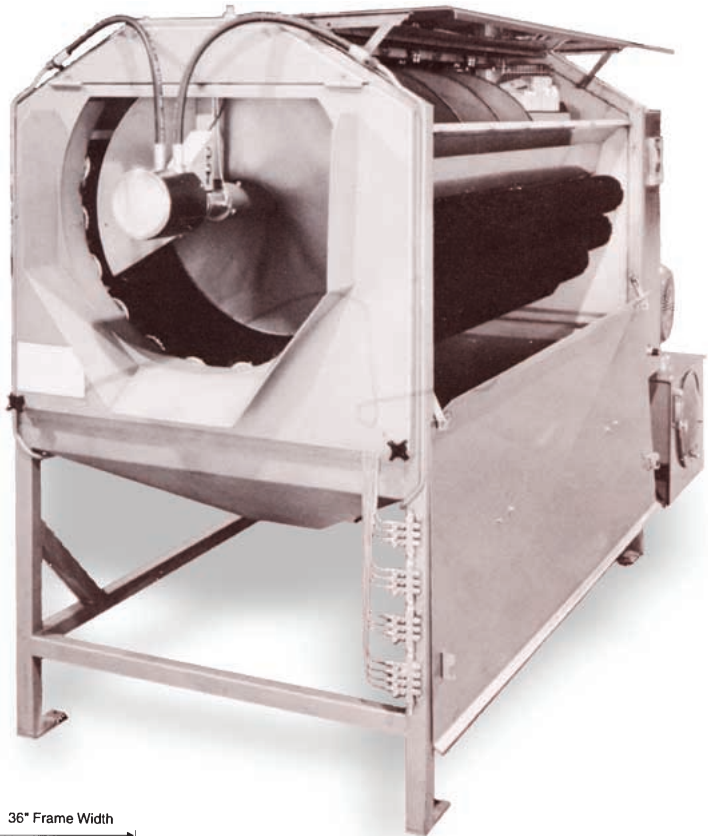


HYDRAULIC PEELER / WASHER

Equipment for vegetable and fruit processing

- More Capacity
- Easy Maintenance
- Competitive
- Increase Recovery
- Decrease Maintenance Costs
- Lower Initial Investment

Seven different different sizes to meet every individual application: 13,11,9,8,7,6 & 4 roll machines





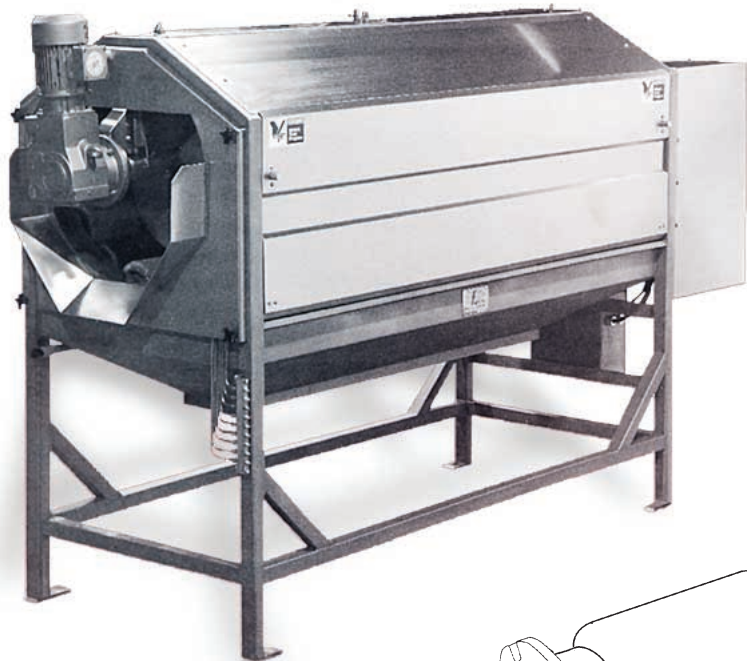
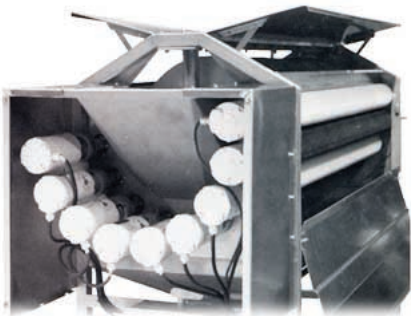
BLYC 001B

ELECTRIC PEELER / WASHER

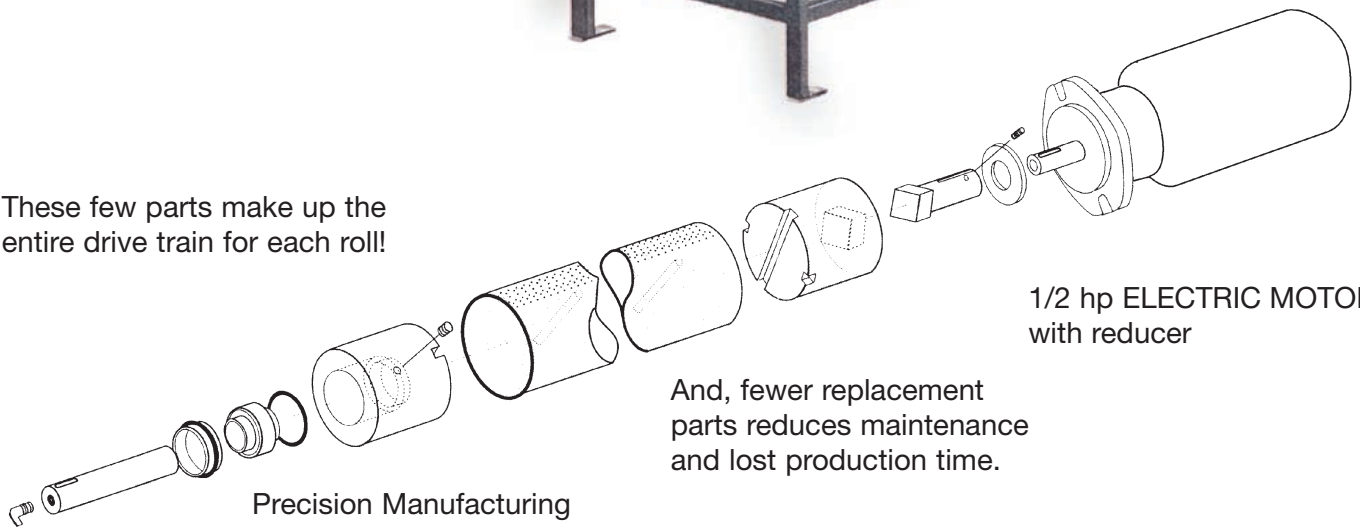
Equipment for vegetable and fruit processing

- Quiet
- Reliable
- Clean
- Simple Mechanics
- Nosprockets or chains
- No sheaves or belts
- No hydraulics

Seven different different sizes to meet every individual application: 11,9,8,7 roll machines



These few parts make up the entire drive train for each roll!



1/2 hp ELECTRIC MOTOR with reducer

And, fewer replacement parts reduces maintenance and lost production time.

Precision Manufacturing ensures dependable operation